

GL-FS350A Multi-Angle Lid Stay (With Lock)

Top opening · Upward opening · Swing door opening

Opening Direction	Description	Non-handed	Qty	Compression Load
<p>Top-opening Upward-opening Swing Door</p>	Multi-angle Lock	Yes	1 Unit Per Door 2 Units Per Door	294 N/pc (30 kgf/pc)



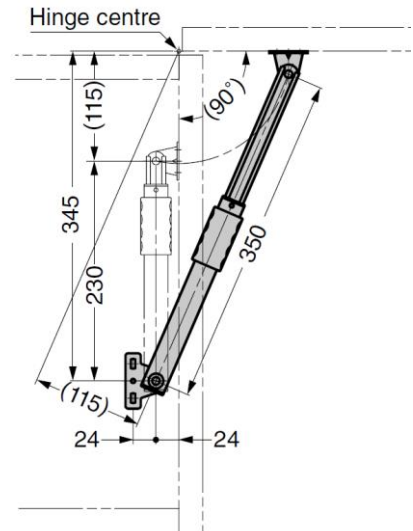
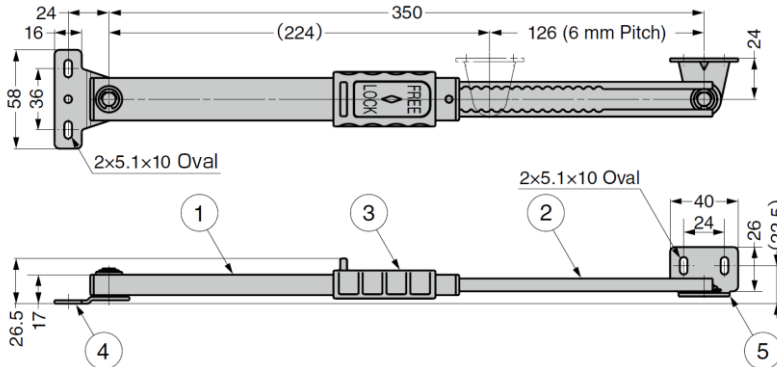
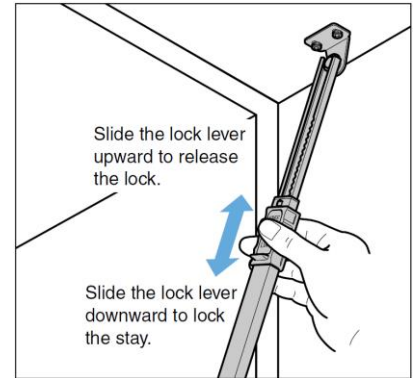
Features

- Locks the lid at multiple angles with the lock lever. Slide the lock lever in any position to lock the extension direction and compression direction
- Installation pitch is identical to **GLB-350A**
- Plastic parts and metal parts can be separated
- Components to install to aluminium frame also available, contact Gripwell for assistance

Notes

- Do not use this product as a stopper
- Allow room for stroke when installing
- Opening angle and installation position change depending on the position of hinge centre. Determine the installation position based on the hinges used and cabinet shape
- Release the lock while supporting the door

Lock & Release



No.	Part Name	Material	Finish/Colour
①	Body	Stainless Steel (SUS304)	Satin
②	Arm		
③	Lock Lever	POM	Dark Grey
④	Case Bracket	Stainless Steel (SUS304)	Satin
⑤	Arm Bracket		

Part No.	Compression Load (per piece)	
GL-FS350A	294 N	30 kg